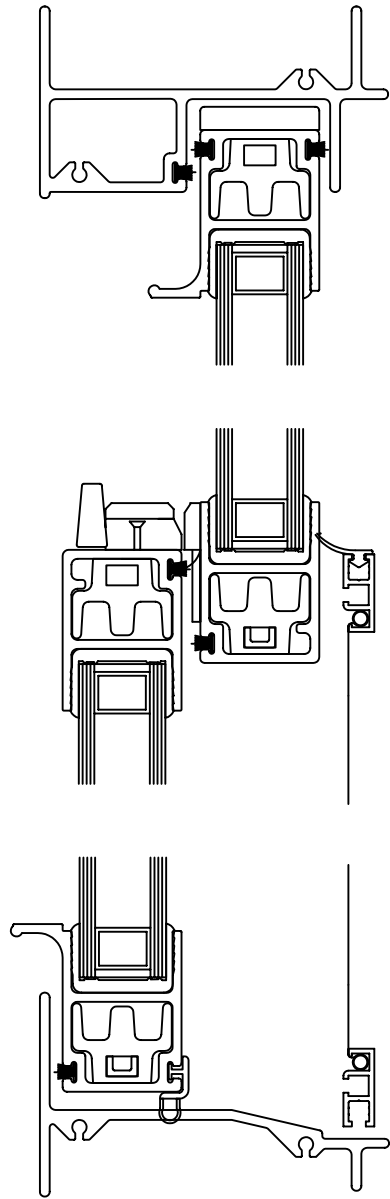
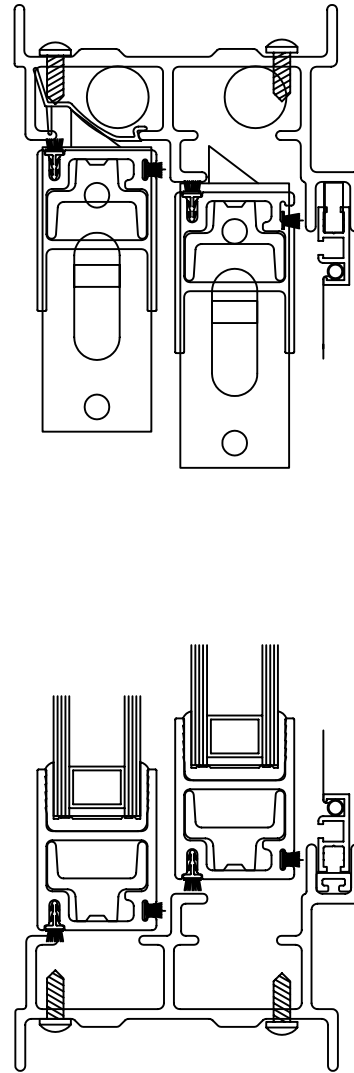



# Double Hung and Slider Fibertherm 5000 Series



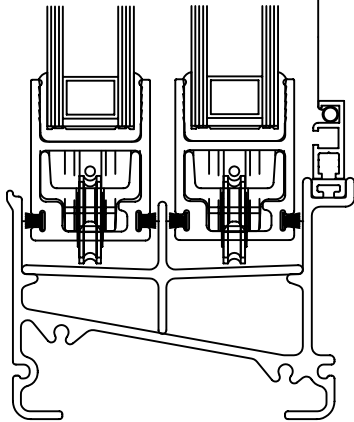
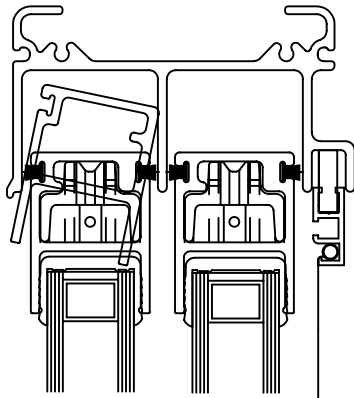
5000 SERIES DOUBLE HUNG  
HORIZONTAL SECTION VIEW



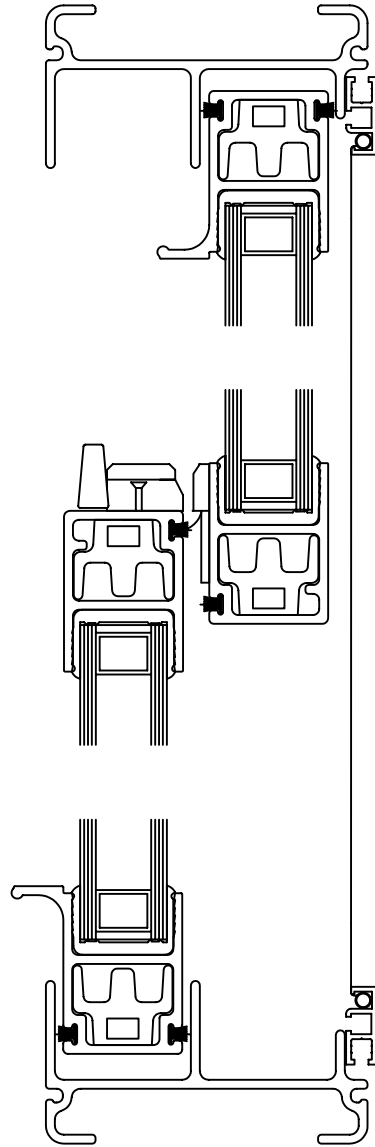
5000 SERIES DOUBLE HUNG  
VERTICAL SECTION VIEW

|               |       |               |                |                                                                                       |             |
|---------------|-------|---------------|----------------|---------------------------------------------------------------------------------------|-------------|
| RADIUS LEGEND |       | CUSTOMER      |                |  |             |
| A             | 0.010 | 5000 SERIES   |                |                                                                                       |             |
| B             | 0.015 | COMPONENT     |                |                                                                                       |             |
| C             | 0.030 | DOUBLE HUNG   |                |                                                                                       |             |
| D             | 0.060 | DWG #         | CUSTOMER DWG # |                                                                                       | DATE        |
| E             | 0.075 |               | SAME           |                                                                                       | 01 MAY 2005 |
| F             | 0.090 | WEIGHT - #/FT | AREA           | PERIMETER                                                                             | WALL THK.   |
| G             | 0.135 | DRWN BY       | CHK'D BY       | TOL.                                                                                  | SCALE       |
| H             | 0.165 | MDW           |                | +/-                                                                                   | NTS         |


| REV | DATE | NOTES |
|-----|------|-------|
|     |      |       |
|     |      |       |
|     |      |       |



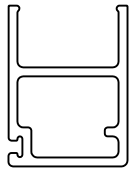
5000 SERIES SLIDER  
HORIZONTAL SECTION VIEW



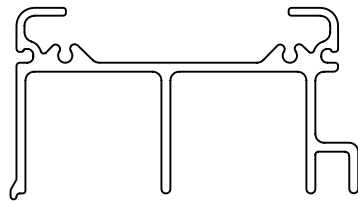
5000 SERIES SLIDER  
VERTICAL SECTION VIEW

|              |       |               |                |                                                                                                                                     |             |
|--------------|-------|---------------|----------------|-------------------------------------------------------------------------------------------------------------------------------------|-------------|
| RADIO LEGEND |       | CUSTOMER      |                | <br>The Innovation of<br>Fiberglass Pultrusion |             |
| A            | 0.010 | 5000 SERIES   |                |                                                                                                                                     |             |
| B            | 0.015 | COMPONENT     |                |                                                                                                                                     |             |
| C            | 0.030 | SLIDER        |                |                                                                                                                                     |             |
| D            | 0.060 | DWG #         | CUSTOMER DWG # |                                                                                                                                     | DATE        |
| E            | 0.075 |               | SAME           |                                                                                                                                     | 01 MAY 2005 |
| F            | 0.090 | WEIGHT - #/FT | AREA           | PERIMETER                                                                                                                           | WALL THK.   |
| G            | 0.135 | DRWN BY       | CHK'D BY       | TOL.                                                                                                                                | SCALE       |
| H            | 0.165 | MDW           |                | +/-                                                                                                                                 | NTS         |

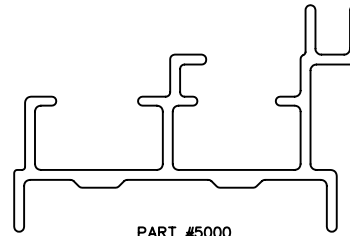
| REV | DATE | NOTES |
|-----|------|-------|
|     |      |       |
|     |      |       |
|     |      |       |



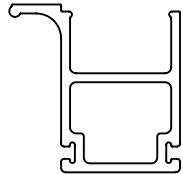
MEETING RAIL #2021



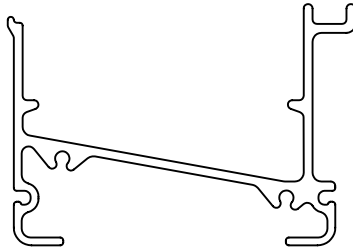
PART #5006  
SLIDER HEAD



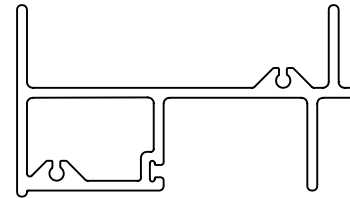
PART #5000  
DH JAMB



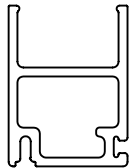
PULL RAIL #2022



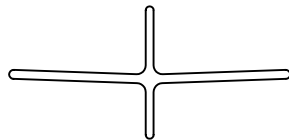
PART #5008  
SLIDER SILL



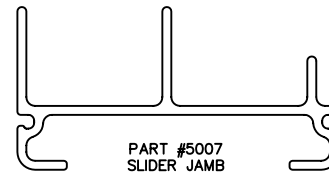
PART #5004  
DH HEAD



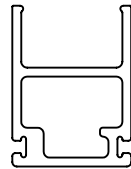
DOUBLE HUNG STILE #2023



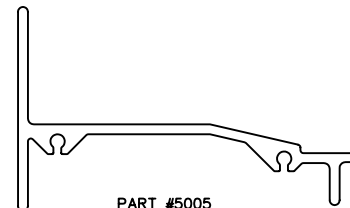
PART #5009  
SLIDER INSERT




PART #5007  
SLIDER JAMB



SLIDER STILE #2027



PART #5005  
DH SILL

|              |       |                  |  |                                                                                                                                                              |           |
|--------------|-------|------------------|--|--------------------------------------------------------------------------------------------------------------------------------------------------------------|-----------|
| RADIO LEGEND |       | CUSTOMER         |  | <br>The Innovation of<br><b>OMNIGLASS</b> LTD.<br>Fiberglass Pultrusion |           |
|              |       | 5000 SERIES      |  |                                                                                                                                                              |           |
| A            | 0.010 | COMPONENT        |  |                                                                                                                                                              |           |
| B            | 0.015 | DWG #            |  | CUSTOMER DWG #                                                                                                                                               |           |
| C            | 0.030 | FIBERGLASS PARTS |  | SAME                                                                                                                                                         |           |
| D            | 0.060 | WEIGHT - #/FT    |  | AREA                                                                                                                                                         | PERIMETER |
| E            | 0.075 | DRWN BY          |  | CHK'D BY                                                                                                                                                     | TOL. +/-  |
| F            | 0.090 | MDW              |  |                                                                                                                                                              | SCALE NTS |
| G            | 0.135 |                  |  |                                                                                                                                                              |           |
| H            | 0.165 |                  |  |                                                                                                                                                              |           |
|              |       | DATE             |  | 01 MAY 2005                                                                                                                                                  |           |

| REV | DATE | NOTES |
|-----|------|-------|
|     |      |       |
|     |      |       |
|     |      |       |